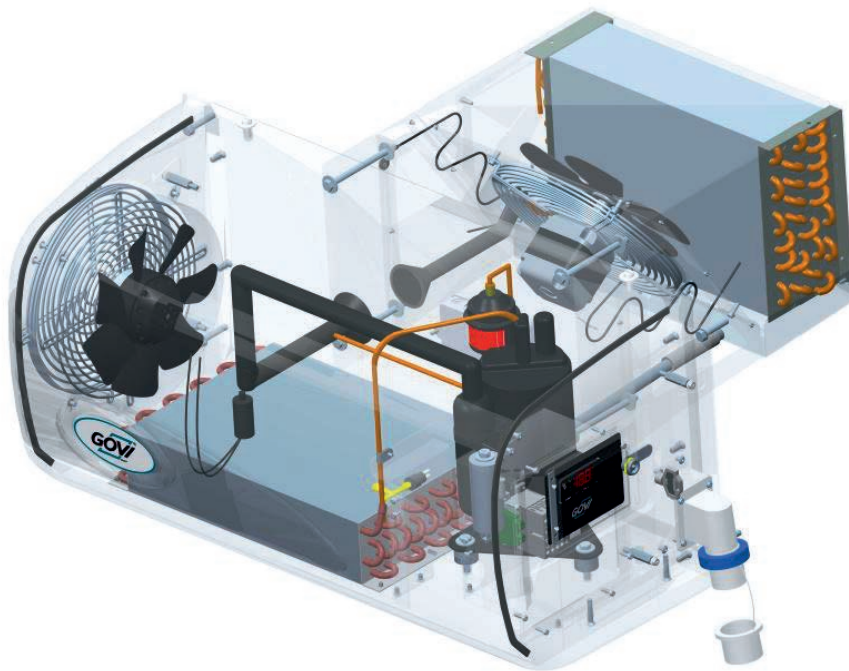


**ERSATZTEILE
SPARE PARTS
PIECES DETACHEES
ONDERDELEN**



arktik[®]

**1600N - 1600N/T
2000N - 2500N - 2000P**

2019



ORIGINAL SPARE PARTS

ERSATZTEILE SPARE PARTS PIECES DETACHEES ONDERDELEN

ab Baujahr
from year of construction
à partir de l'année de construction
vanaf bouwjaar

2019

Hinweis:

Bitte geben Sie bei allen Ersatzteilanfragen bzw. Ersatzteilbestellungen den Gerätetyp und die Seriennummer an.

Note:

Please indicate the model and serial number in all queries on your parts and in all orders for your spare parts.

Remarque:

Lors de chaque demande relative aux pièces de rechange ou chaque commande de pièces de rechange, veuillez indiquer le type du groupe et le numéro de série.

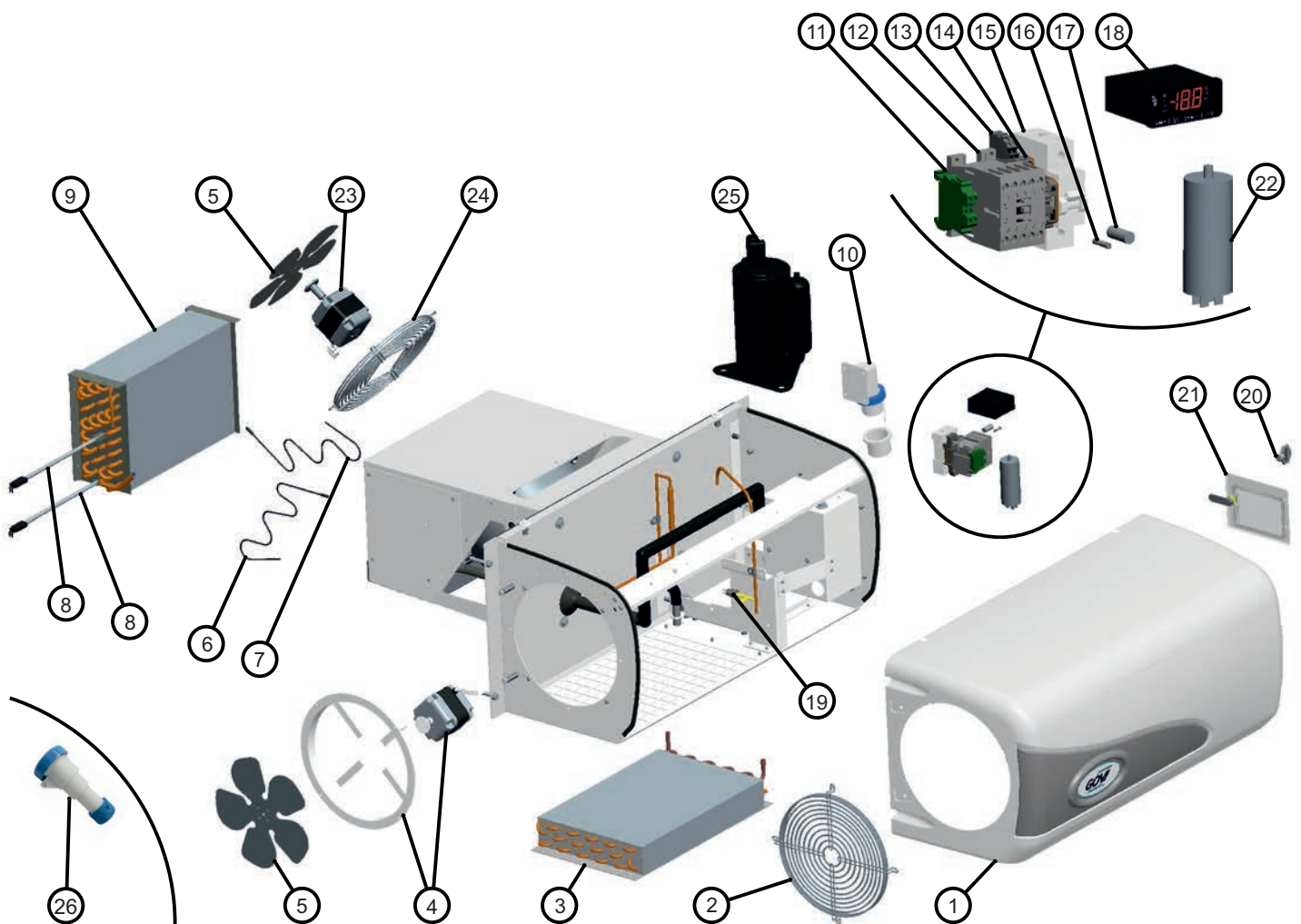
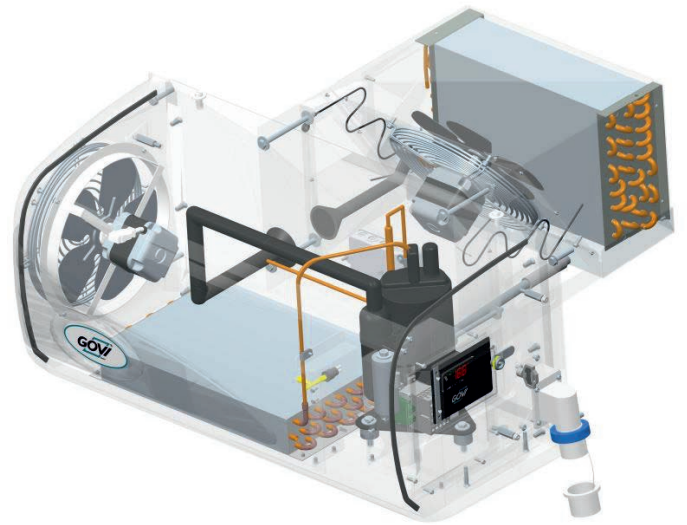
Opmerking:

Gelieve bij al uw vragen over vervangingsonderdelen en bij al uw bestellingen van vervangingsonderdelen het model en serienummer te vermelden.

| | |
|------------------------------|----|
| arktik® 1600N | 4 |
| arktik® 1600N/T | 6 |
| arktik® 2000N | 8 |
| arktik® 2500N | 10 |
| arktik® 2000P | 12 |

arktik® 1600N

ERSATZTEILE SPARE PARTS PIECES DETACHEES ONDERDELEN



D

| POS. | BESTELNUMMER | BEZEICHNUNG |
|------|--------------|--------------------------|
| 1 | 50.03.307 | GERÄTEFRONTHAUBE |
| 2 | 50.02.202 | SCHUTZGITTER |
| 3 | 50.01.169 | KONDENSATOR |
| 4 | A106959 | MOTOR MIT RING |
| 5 | 50.01.104 | FLÜGEL "drückend" |
| 6 | E.75.750.030 | FÜHLER RAUM |
| 7 | E.75.750.031 | FÜHLER VERDAMPFER |
| 8 | 50.02.204 | ABTAUHEIZUNG "SATZ" |
| 9 | 50.02.214 | VERDAMPFER |
| 10 | 50.03.304 | CAMPINGSTECKDOSE |
| 11 | 75.750.011 | ERDKLEMME |
| 12 | 75.750.007 | SCHÜTZ |
| 13 | 75.750.008 | KLEMME TOPJOB |
| 14 | 75.750.012 | SI-KLEMME |
| 15 | 75.750.015 | SI-TRENNSCHALTER |
| 16 | 75.750.014 | SICHERUNG 5A |
| 17 | 75.750.016 | SICHERUNG 10A |
| 18 | EV3294N9VR | REGLER |
| 19 | 50.01.175 | HD-SCHALTER |
| 20 | 50.05.505 | SCHLÜSSEL |
| 21 | 50.05.506 | BEDIENKLAPPE |
| 22 | 50.01.171 | ELEKTR. KONDENSATOR 30uF |
| 23 | A106519 | MOTOR |
| 24 | 50.02.213 | SCHUTZGITTER |
| 25 | 50.01.170 | KOMPRESSOR |
| 26 | 50.05.502 | KUPPLUNG |

GB

| POS. | CODE | DESCRIPTION |
|------|--------------|-------------------------|
| 1 | 50.03.307 | ABS COWLING |
| 2 | 50.02.202 | PROTECTIVE GRID |
| 3 | 50.01.169 | CONDENSER |
| 4 | A106959 | MOTOR WITH RING |
| 5 | 50.01.104 | CONDENSER FAN BLADE |
| 6 | E.75.750.030 | ROOM TEMPERATURE PROBE |
| 7 | E.75.750.031 | EVAPORATOR PROBE |
| 8 | 50.02.204 | DEFROST HEATER |
| 9 | 50.02.214 | EVAPORATOR |
| 10 | 50.03.304 | PLUG |
| 11 | 75.750.011 | TERMINAL STRIP |
| 12 | 75.750.007 | CONTACTOR |
| 13 | 75.750.008 | TERMINAL STRIP |
| 14 | 75.750.012 | FUSE HOLDER |
| 15 | 75.750.015 | FUSE HOLDER |
| 16 | 75.750.014 | FUSE 5A |
| 17 | 75.750.016 | FUSE 10A |
| 18 | EV3294N9VR | DIGITAL THERMOSTAT |
| 19 | 50.01.175 | HIGH PRESSURE SWITCH |
| 20 | 50.05.505 | LOCK KEY |
| 21 | 50.05.506 | DOOR WITH LOCK |
| 22 | 50.01.171 | ELECTRIC CAPACITOR 30uF |
| 23 | A106519 | EVAPORATOR FAN |
| 24 | 50.02.213 | PROTECTIVE GRID |
| 25 | 50.01.170 | COMPRESSOR |
| 26 | 50.05.502 | COUPLER |

F

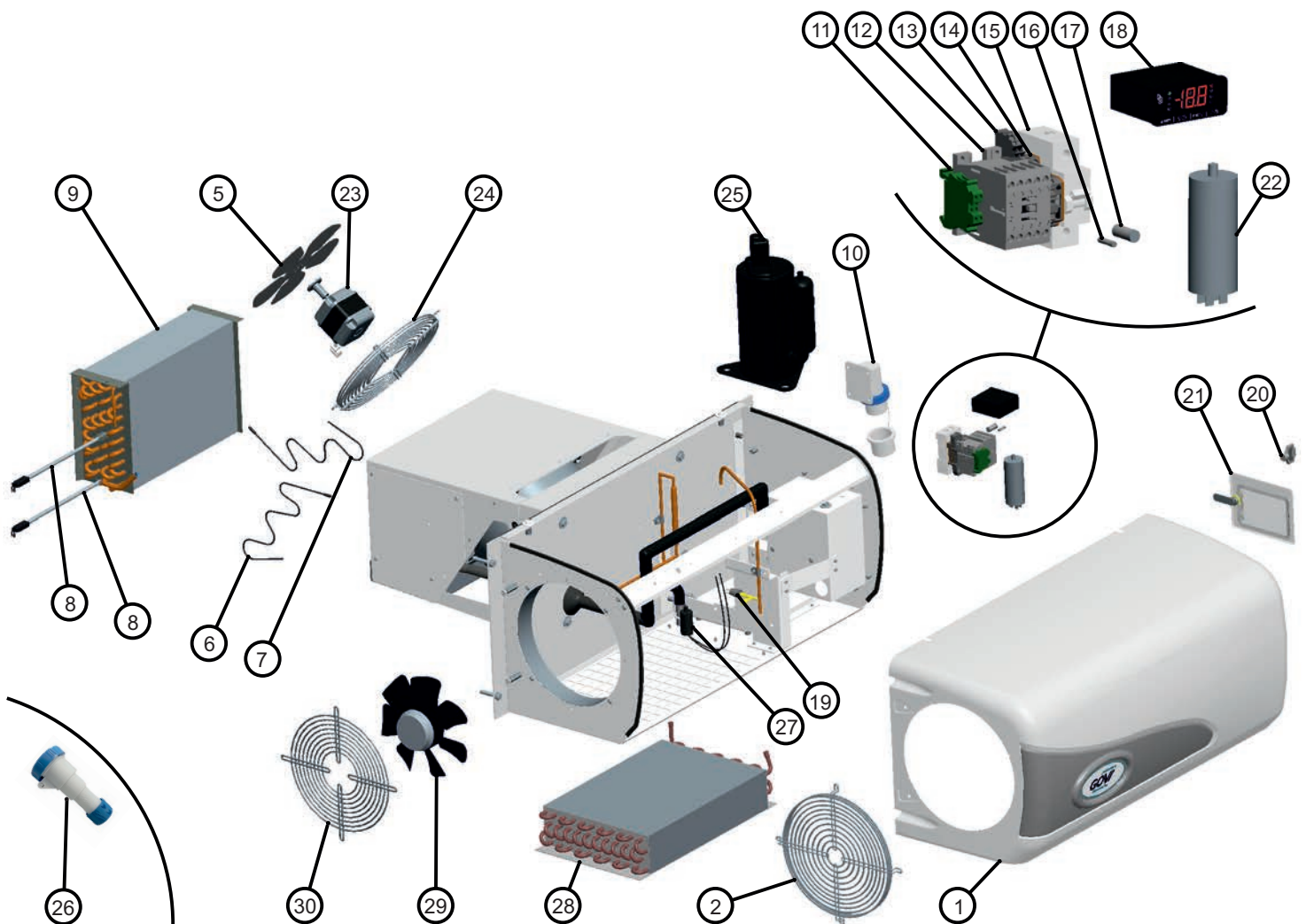
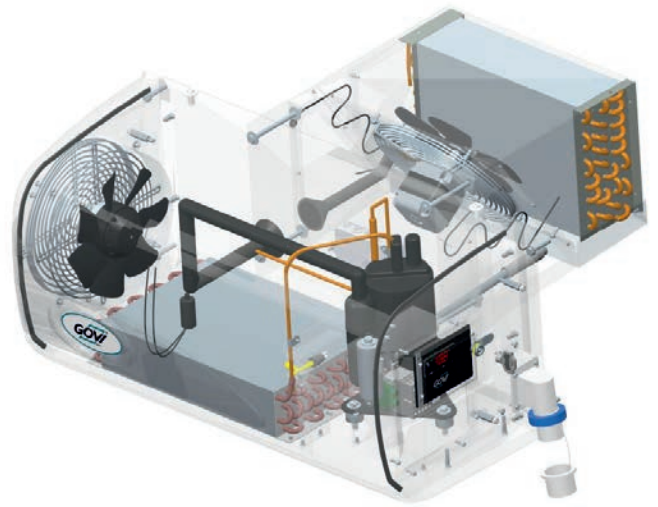
| POS. | CODE | DESCRIPTION |
|------|--------------|--------------------------------|
| 1 | 50.03.307 | CARTER EN ABS |
| 2 | 50.02.202 | GRILLE DE PROTECTION |
| 3 | 50.01.169 | CONDENSEUR |
| 4 | A106959 | MOTO-VENTILATEUR AVEC BAGUE |
| 5 | 50.01.104 | HELICE VENTILATEUR CONDENSEUR |
| 6 | E.75.750.030 | SONDE TEMPERATURE AMBIANTE |
| 7 | E.75.750.031 | SONDE DE DEGIVRAGE |
| 8 | 50.02.204 | RESISTANCE DE DEGIVRAGE |
| 9 | 50.02.214 | EVAPORATEUR |
| 10 | 50.03.304 | SOCLE DE CONNECTEUR EN SAILLIE |
| 11 | 75.750.011 | BORNIER |
| 12 | 75.750.007 | RELAIS |
| 13 | 75.750.008 | BORNIER |
| 14 | 75.750.012 | PORTE-FUSIBLES |
| 15 | 75.750.015 | PORTE-FUSIBLES |
| 16 | 75.750.014 | FUSIBLE 5A |
| 17 | 75.750.016 | FUSIBLE 10A |
| 18 | EV3294N9VR | THERMOSTAT NUMERIQUE |
| 19 | 50.01.175 | PRESSOSTAT HAUTE PRESSION |
| 20 | 50.05.505 | CLE SERRURE |
| 21 | 50.05.506 | PORTE AVEC SERRURE |
| 22 | 50.01.171 | CONDENSATEUR ELECTRIQUE 30uF |
| 23 | A106519 | VENTILATEUR |
| 24 | 50.02.213 | GRILLE DE PROTECTION |
| 25 | 50.01.170 | COMPRESSEUR |
| 26 | 50.05.502 | PRISE MOBILE |

NL

| POS. | CODE | OMSCHRIJVING: |
|------|--------------|---|
| 1 | 50.03.307 | BESCHERMKAP (ABS) |
| 2 | 50.02.202 | BESCHERMROOSTER |
| 3 | 50.01.169 | CONDENSOR |
| 4 | A106959 | VENTILATOR MET BEVESTIGINGRAND |
| 5 | 50.01.104 | VENTILATORBLAD (CONDENSOR) |
| 6 | E.75.750.030 | OMGEVINGSTEMPERATUURSENSOR (LAADRUIJTE) |
| 7 | E.75.750.031 | ONTDOOISENSOR |
| 8 | 50.02.204 | ONTDOOI/VERWARMINGSELEMENT |
| 9 | 50.02.214 | VERDAMPFER |
| 10 | 50.03.304 | AANSLUITSTEKKER |
| 11 | 75.750.011 | KLEMMENSTROOK |
| 12 | 75.750.007 | AFSTANDSSCHAKELAAR |
| 13 | 75.750.008 | KLEMMENSTROOK |
| 14 | 75.750.012 | ZEKERINGHOUDER |
| 15 | 75.750.015 | ZEKERINGHOUDER |
| 16 | 75.750.014 | ZEKERING 5A |
| 17 | 75.750.016 | ZEKERING 10A |
| 18 | EV3294N9VR | DIGITALE THERMOSTAT |
| 19 | 50.01.175 | HOGEDRUKPRESSOSTAAT |
| 20 | 50.05.505 | SLEUTEL (BEDIENINGSPANEEL) |
| 21 | 50.05.506 | DEUR MET SLUITING |
| 22 | 50.01.171 | ELECTRO CONDENSATOR 30uF |
| 23 | A106519 | VENTILATOR |
| 24 | 50.02.213 | BESCHERMROOSTER |
| 25 | 50.01.170 | COMPRESSOR |
| 26 | 50.05.502 | CONTRA-STEKKER |

arktik® 1600N/T

ERSATZTEILE SPARE PARTS PIECES DETACHEES ONDERDELEN



D

| POS. | BESTELNUMMER | BEZEICHNUNG |
|------|--------------|--------------------------|
| 1 | 50.03.307 | GERÄTEFRONTHAUBE |
| 2 | 50.02.202 | SCHUTZGITTER |
| 5 | 50.01.104 | FLÜGEL "drückend" |
| 6 | E.75.750.030 | FÜHLER RAUM |
| 7 | E.75.750.031 | FÜHLER VERDAMPFER |
| 8 | 50.02.204 | ABTAUHEIZUNG "SATZ" |
| 9 | 50.02.214 | VERDAMPFER |
| 10 | 50.03.304 | CAMPINGSTECKDOSE |
| 11 | 75.750.011 | ERDKLEMME |
| 12 | 75.750.007 | SCHÜTZ |
| 13 | 75.750.008 | KLEMME TOPJOB |
| 14 | 75.750.012 | SI-KLEMME |
| 15 | 75.750.015 | SI-TRENNSCHALTER |
| 16 | 75.750.014 | SICHERUNG 5A |
| 17 | 75.750.016 | SICHERUNG 10A |
| 18 | EV3294N9VR | REGLER |
| 19 | 50.01.175 | HD-SCHALTER |
| 20 | 50.05.505 | SCHLÜSSEL |
| 21 | 50.05.506 | BEDIENKLAPPE |
| 22 | 50.01.171 | ELEKTR. KONDENSATOR 30µF |
| 29 | 60.01.115 | KONDENSATORLÜFTER |
| 30 | 60.01.120 | SCHUTZGITTER |
| 27 | 60.01.116 | ELEKTR. KONDENSATOR 2µF |
| 23 | A106519 | MOTOR |
| 24 | 50.02.213 | SCHUTZGITTER |
| 25 | 50.01.170 | KOMPRESSOR |
| 28 | 70.01.147 | KONDENSATOR |
| 26 | 50.05.502 | KUPPLUNG |

GB

| POS. | CODE | DESCRIPTION |
|------|--------------|------------------------|
| 1 | 50.03.307 | ABS COWLING |
| 2 | 50.02.202 | PROTECTIVE GRID |
| 5 | 50.01.104 | CONDENSER FAN BLADE |
| 6 | E.75.750.030 | ROOM TEMPERATURE PROBE |
| 7 | E.75.750.031 | EVAPORATOR PROBE |
| 8 | 50.02.204 | DEFROST HEATER |
| 9 | 50.02.214 | EVAPORATOR |
| 10 | 50.03.304 | PLUG |
| 11 | 75.750.011 | TERMINAL STRIP |
| 12 | 75.750.007 | CONTACTOR |
| 13 | 75.750.008 | TERMINAL STRIP |
| 14 | 75.750.012 | FUSE HOLDER |
| 15 | 75.750.015 | FUSE HOLDER |
| 16 | 75.750.014 | FUSE 5A |
| 17 | 75.750.016 | FUSE 10A |
| 18 | EV3294N9VR | DIGITAL THERMOSTAT |
| 19 | 50.01.175 | HIGH PRESSURE SWITCH |
| 20 | 50.05.505 | LOCK KEY |
| 21 | 50.05.506 | DOOR WITH LOCK |
| 22 | 50.01.171 | ELECTRIC CAPACITOR |
| 29 | 60.01.115 | CONDENSER FAN |
| 30 | 60.01.120 | PROTECTIVE GRID |
| 27 | 60.01.116 | ELECTRIC CAPACITOR |
| 23 | A106519 | EVAPORATOR FAN |
| 24 | 50.02.213 | PROTECTIVE GRID |
| 25 | 50.01.170 | COMPRESSOR |
| 28 | 70.01.147 | CONDENSER |
| 26 | 50.05.502 | COUPLER |

F

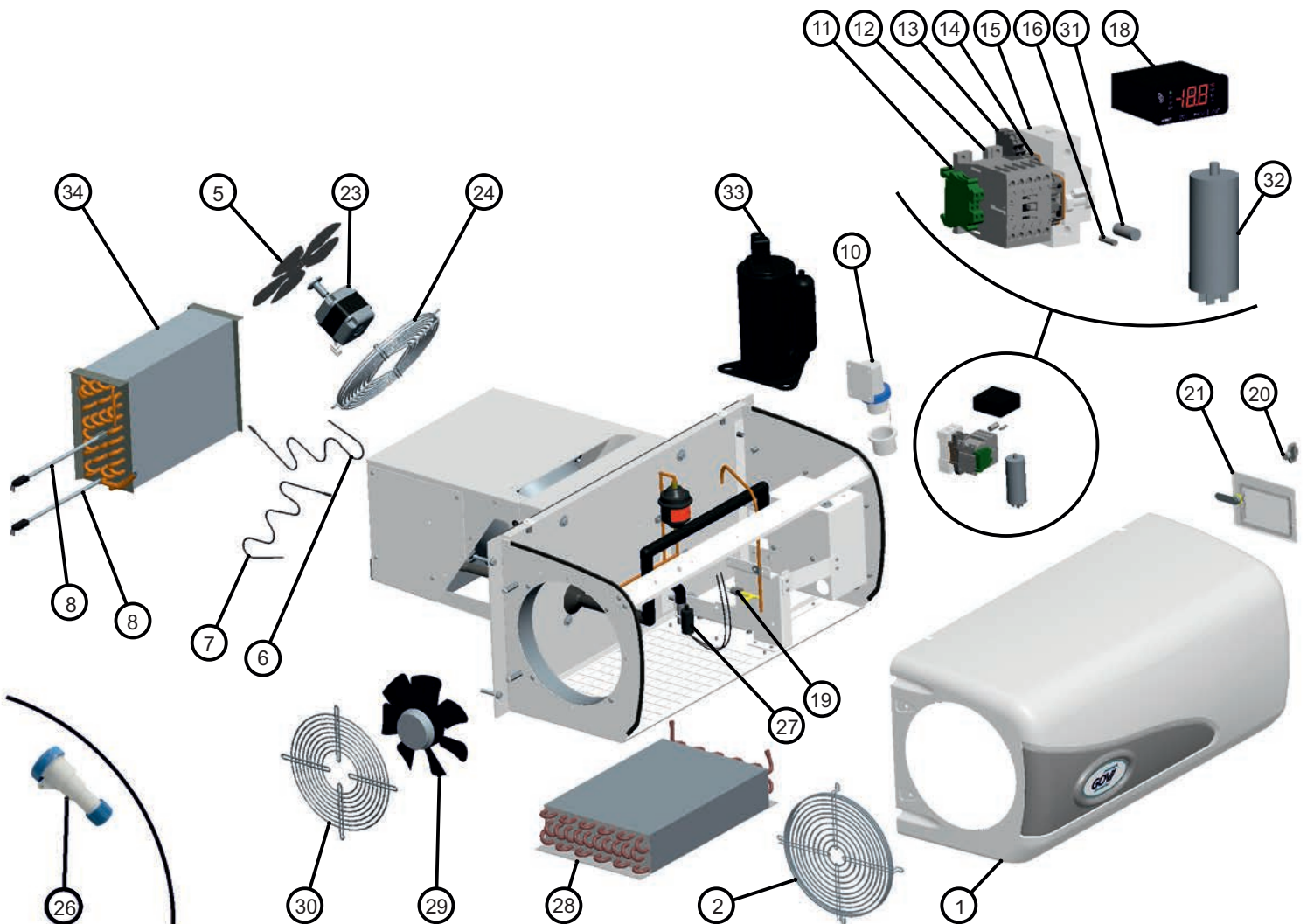
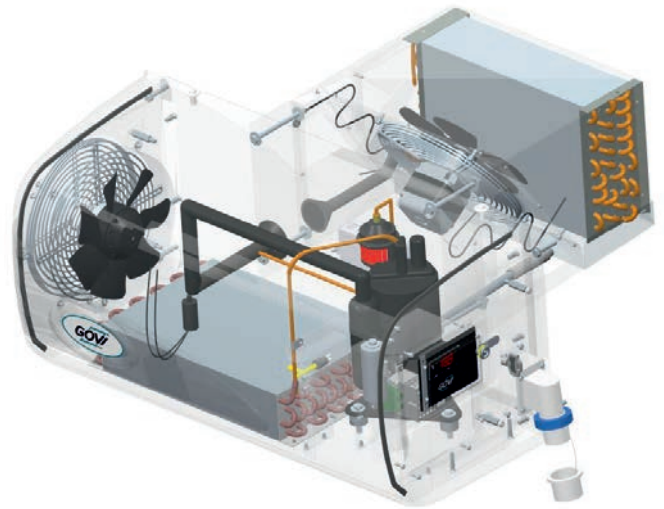
| POS. | CODE | DESCRIPTION |
|------|--------------|------------------------------------|
| 1 | 50.03.307 | CARTER EN ABS |
| 2 | 50.02.202 | GRILLE DE PROTECTION |
| 5 | 50.01.104 | HELICE VENTILATEUR CONDENSEUR |
| 6 | E.75.750.030 | SONDE TEMPERATURE AMBIANTE |
| 7 | E.75.750.031 | SONDE DE DEGIVRAGE |
| 8 | 50.02.204 | RESISTANCE DE DEGIVRAGE |
| 9 | 50.02.214 | EVAPORATEUR |
| 10 | 50.03.304 | SOCLE DE CONNECTEUR EN SALLIE 230V |
| 11 | 75.750.011 | BORNIER |
| 12 | 75.750.007 | RELAIS |
| 13 | 75.750.008 | BORNIER |
| 14 | 75.750.012 | PORTE-FUSIBLES |
| 15 | 75.750.015 | PORTE-FUSIBLES |
| 16 | 75.750.014 | FUSIBLE 5A |
| 17 | 75.750.016 | FUSIBLE 10A |
| 18 | EV3294N9VR | THERMOSTAT NUMERIQUE |
| 19 | 50.01.175 | PRESSOSTAT HAUTE PRESSION |
| 20 | 50.05.505 | CLE SERRURE |
| 21 | 50.05.506 | PORTE AVEC SERRURE |
| 22 | 50.01.171 | CONDENSATEUR ELECTRIQUE |
| 29 | 60.01.115 | VENTILATEUR |
| 30 | 60.01.120 | GRILLE DE PROTECTION |
| 27 | 60.01.116 | CONDENSATEUR ELECTRIQUE |
| 23 | A106519 | MOTO-VENTILATEUR |
| 24 | 50.02.213 | GRILLE DE PROTECTION |
| 25 | 50.01.170 | COMPRESSEUR |
| 28 | 70.01.147 | CONDENSEUR |
| 26 | 50.05.502 | PRISE MOBILE |

NL

| POS. | CODE | OMSCHRIJVING: |
|------|--------------|---|
| 1 | 50.03.307 | BESCHERMKAP (ABS) |
| 2 | 50.02.202 | BESCHERMROOSTER |
| 5 | 50.01.104 | VENTILATORBLAD (CONDENSOR) |
| 6 | E.75.750.030 | OMGEVINGSTEMPERATUURSENSOR (LAADRUIMTE) |
| 7 | E.75.750.031 | ONTDOOISENSOR |
| 8 | 50.02.204 | ONTDOOI/VERWARMINGSELEMENT |
| 9 | 50.02.214 | VERDAMPER |
| 10 | 50.03.304 | AANSLUITSTEKKER |
| 11 | 75.750.011 | KLEMMENSTROOK |
| 12 | 75.750.007 | AFSTANDSSCHAKELAAR |
| 13 | 75.750.008 | KLEMMENSTROOK |
| 14 | 75.750.012 | ZEKERINGHOUDER |
| 15 | 75.750.015 | ZEKERINGHOUDER |
| 16 | 75.750.014 | ZEKERING 5A |
| 17 | 75.750.016 | ZEKERING 10A |
| 18 | EV3294N9VR | DIGITALE THERMOSTAT |
| 19 | 50.01.175 | HOGEDRUKPRESSOSTAAT |
| 20 | 50.05.505 | SLEUTEL (BEDIENINGSPANEEL) |
| 21 | 50.05.506 | DEUR MET SLUITING |
| 22 | 50.01.171 | ELECTRO CONDENSATOR |
| 29 | 60.01.115 | VENTILATOR |
| 30 | 60.01.120 | BESCHERMROOSTER |
| 27 | 60.01.116 | ELECTRO CONDENSATOR |
| 23 | A106519 | VENTILATOR |
| 24 | 50.02.213 | BESCHERMROOSTER |
| 25 | 50.01.170 | COMPRESSOR |
| 28 | 70.01.147 | CONDENSOR |
| 26 | 50.05.502 | CONTRA-STEKKER |

arktik® 2000N

ERSATZTEILE SPARE PARTS PIECES DETACHEES ONDERDELEN



D

| POS. | BESTELNUMMER | BEZEICHNUNG |
|------|--------------|---------------------|
| 1 | 50.03.307 | GERÄTEFRONTHAUBE |
| 2 | 50.02.202 | SCHUTZGITTER |
| 5 | 50.01.104 | FLÜGEL "drückend" |
| 6 | E.75.750.030 | FÜHLER RAUM |
| 7 | E.75.750.031 | FÜHLER VERDAMPFER |
| 8 | 50.02.204 | ABTAUHEIZUNG "SATZ" |
| 10 | 50.03.304 | CAMPINGSTECKDOSE |
| 11 | 75.750.011 | ERDKLEMME |
| 12 | 75.750.007 | SCHÜTZ |
| 13 | 75.750.008 | KLEMME TOPJOB |
| 14 | 75.750.012 | SI-KLEMME |
| 15 | 75.750.015 | SI-TRENNSCHALTER |
| 16 | 75.750.014 | SICHERUNG |
| 18 | EV3294N9VR | REGLER |
| 19 | 50.01.175 | HD-SCHALTER |
| 20 | 50.05.505 | SCHLÜSSEL |
| 21 | 50.05.506 | BEDIENKLAPPE |
| 29 | 60.01.115 | KONDENSATORLÜFTER |
| 30 | 60.01.120 | SCHUTZGITTER |
| 31 | 75.750.017 | SICHERUNG |
| 32 | 60.01.122 | ELEKTR. KONDENSATOR |
| 23 | A106519 | MOTOR |
| 24 | 50.02.213 | GITTER |
| 28 | 70.01.147 | KONDENSATOR |
| 34 | 70.02.115 | VERDAMPFER |
| 27 | 60.01.116 | ELEKTR. KONDENSATOR |
| 33 | 60.01.121 | KOMPRESSOR |
| 26 | 50.05.502 | KUPPLUNG |

GB

| POS. | CODE | DESCRIPTION |
|------|--------------|------------------------|
| 1 | 50.03.307 | ABS COWLING |
| 2 | 50.02.202 | PROTECTIVE GRID |
| 5 | 50.01.104 | CONDENSER FAN BLADE |
| 6 | E.75.750.030 | ROOM TEMPERATURE PROBE |
| 7 | E.75.750.031 | EVAPORATOR PROBE |
| 8 | 50.02.204 | DEFROST HEATER |
| 10 | 50.03.304 | PLUG |
| 11 | 75.750.011 | TERMINAL STRIP |
| 12 | 75.750.007 | CONTACTOR |
| 13 | 75.750.008 | TERMINAL STRIP |
| 14 | 75.750.012 | FUSE HOLDER |
| 15 | 75.750.015 | FUSE HOLDER |
| 16 | 75.750.014 | FUSE |
| 18 | EV3294N9VR | DIGITAL THERMOSTAT |
| 19 | 50.01.175 | HIGH PRESSURE SWITCH |
| 20 | 50.05.505 | LOCK KEY |
| 21 | 50.05.506 | DOOR WITH LOCK |
| 29 | 60.01.115 | CONDENSER FAN |
| 30 | 60.01.120 | PROTECTIVE GRID |
| 31 | 75.750.017 | FUSE |
| 32 | 60.01.122 | ELECTRIC CAPACITOR |
| 23 | A106519 | EVAPORATOR FAN |
| 24 | 50.02.213 | PROTECTIVE GRID |
| 28 | 70.01.147 | CONDENSER |
| 34 | 70.02.115 | EVAPORATOR |
| 27 | 60.01.116 | ELECTRIC CAPACITOR |
| 33 | 60.01.121 | COMPRESSOR |
| 26 | 50.05.502 | COUPLER |

F

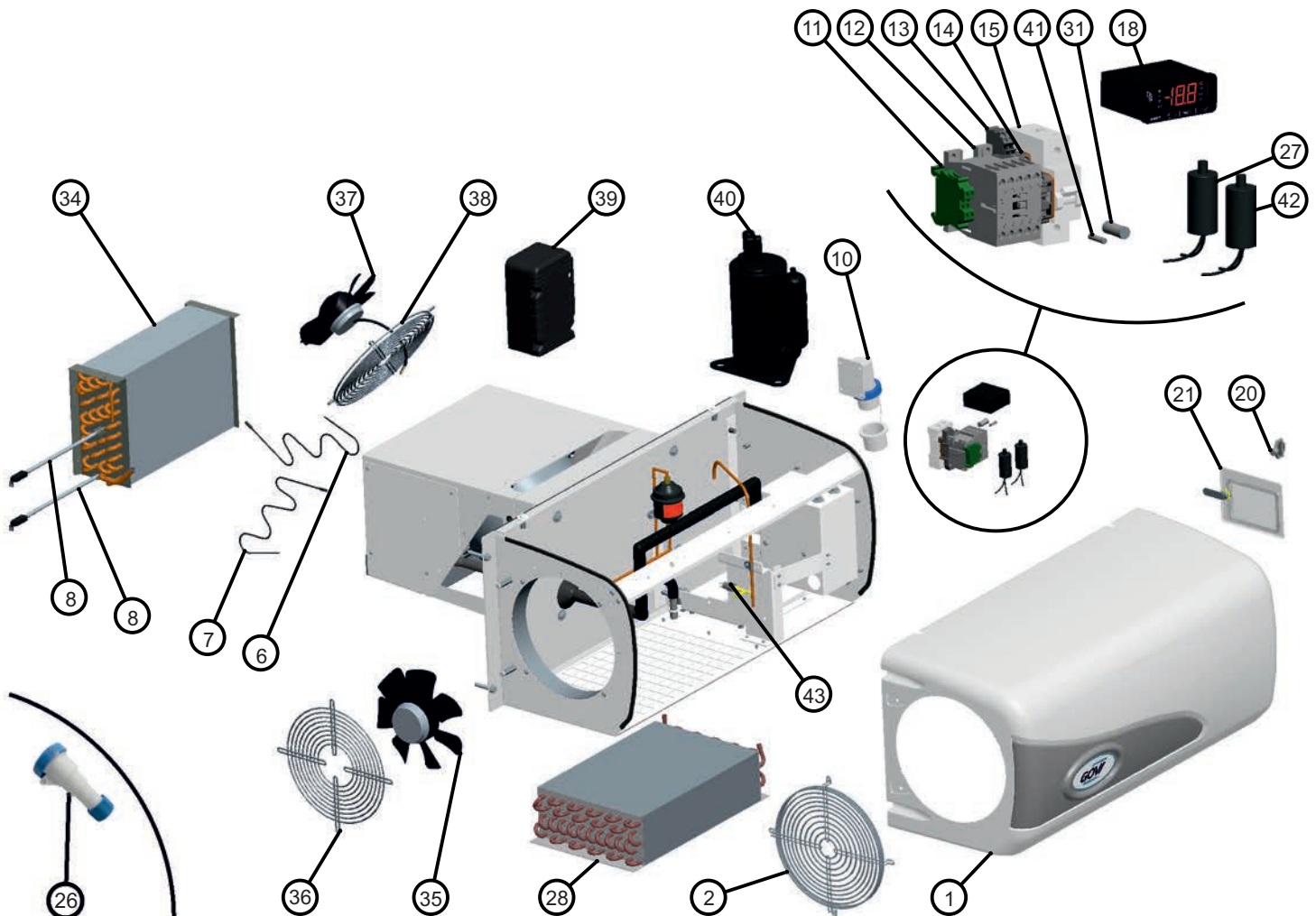
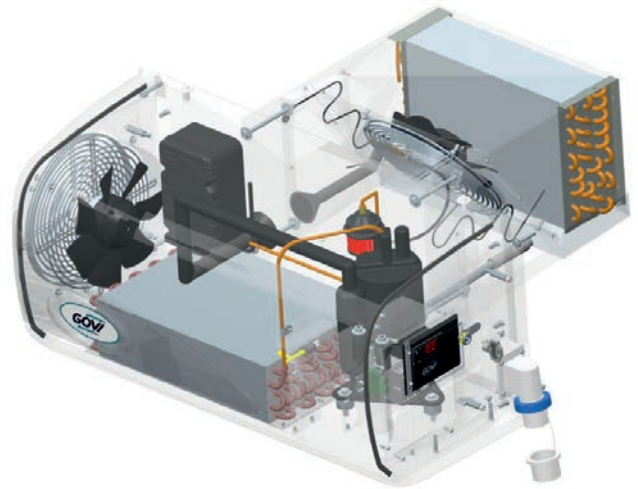
| POS. | CODE | DESCRIPTION |
|------|--------------|-------------------------------------|
| 1 | 50.03.307 | CARTER EN ABS |
| 2 | 50.02.202 | GRILLE DE PROTECTION |
| 5 | 50.01.104 | HELICE VENTILATEUR CONDENSEUR |
| 6 | E.75.750.030 | SONDE TEMPERATURE AMBIANTE |
| 7 | E.75.750.031 | SONDE DE DEGIVRAGE |
| 8 | 50.02.204 | RESISTANCE DE DEGIVRAGE |
| 10 | 50.03.304 | SOCLE DE CONNECTEUR EN SAILLIE 230V |
| 11 | 75.750.011 | BORNIER |
| 12 | 75.750.007 | RELAIS |
| 13 | 75.750.008 | BORNIER |
| 14 | 75.750.012 | PORTE-FUSIBLES |
| 15 | 75.750.015 | PORTE-FUSIBLES |
| 16 | 75.750.014 | FUSIBLE |
| 18 | EV3294N9VR | THERMOSTAT NUMERIQUE |
| 19 | 50.01.175 | PRESSOSTAT HAUTE PRESSION |
| 20 | 50.05.505 | CLE SERRURE |
| 21 | 50.05.506 | PORTE AVEC SERRURE |
| 29 | 60.01.115 | VENTILATEUR |
| 30 | 60.01.120 | GRILLE DE PROTECTION |
| 31 | 75.750.017 | FUSIBLE |
| 32 | 60.01.122 | CONDENSATEUR ELECTRIQUE |
| 23 | A106519 | VENTILATEUR |
| 24 | 50.02.213 | GRILLE DE PROTECTION |
| 28 | 70.01.147 | CONDENSEUR |
| 34 | 70.02.115 | EVAPORATEUR |
| 27 | 60.01.116 | CONDENSATEUR ELECTRIQUE |
| 33 | 60.01.121 | COMPRESSEUR |
| 26 | 50.05.502 | PRISE MOBILE |

NL

| POS. | CODE | OMSCHRIJVING: |
|------|--------------|---------------------------------------|
| 1 | 50.03.307 | BESCHERMKAP (ABS) |
| 2 | 50.02.202 | BESCHERMROOSTER |
| 5 | 50.01.104 | VENTILATORBLAD (CONDENSOR) |
| 6 | E.75.750.030 | OMGEVINGSTEMPERATUURENSOR (LAADRUMTE) |
| 7 | E.75.750.031 | ONTDOOISENSOR |
| 8 | 50.02.204 | ONTDOOI/VERWARMINGSELEMENT |
| 10 | 50.03.304 | AANSLUITSTEKKER |
| 11 | 75.750.011 | KLEMMENSTROOK |
| 12 | 75.750.007 | AFSTANDSSCHAKELAAR |
| 13 | 75.750.008 | KLEMMENSTROOK |
| 14 | 75.750.012 | ZEKERINGHOUDER |
| 15 | 75.750.015 | ZEKERINGHOUDER |
| 16 | 75.750.014 | ZEKERING |
| 18 | EV3294N9VR | DIGITALE THERMOSTAT |
| 19 | 50.01.175 | HOGEDRUKPRESSOSTAAT |
| 20 | 50.05.505 | SLEUTEL (BEDIENINGSPANEEL) |
| 21 | 50.05.506 | DEUR MET SLUITING |
| 29 | 60.01.115 | VENTILATOR |
| 30 | 60.01.120 | BESCHERMROOSTER |
| 31 | 75.750.017 | ZEKERING |
| 32 | 60.01.122 | ELECTRO CONDENSATOR |
| 23 | A106519 | VENTILATOR |
| 24 | 50.02.213 | BESCHERMROOSTER |
| 28 | 70.01.147 | CONDENSOR |
| 34 | 70.02.115 | VERDAMPER |
| 27 | 60.01.116 | ELECTRO CONDENSATOR |
| 33 | 60.01.121 | COMPRESSOR |
| 26 | 50.05.502 | CONTRA-STEKKER |

arktik® 2500N

ERSATZTEILE SPARE PARTS PIECES DETACHEES ONDERDELEN



D

| POS. | BESTELNUMMER | BEZEICHNUNG |
|------|--------------|---------------------|
| 1 | 50.03.307 | GERÄTEFRONTHAUBE |
| 2 | 50.02.202 | SCHUTZGITTER |
| 6 | E.75.750.030 | FÜHLER RAUM |
| 7 | E.75.750.031 | FÜHLER VERDAMPFER |
| 8 | 50.02.204 | ABTAUHEIZUNG "SATZ" |
| 10 | 50.03.304 | CAMPINGSTECKDOSE |
| 11 | 75.750.011 | ERDKLEMME |
| 12 | 75.750.007 | SCHÜTZ |
| 13 | 75.750.008 | KLEMME TOPJOB |
| 14 | 75.750.012 | SI-KLEMME |
| 15 | 75.750.015 | SI-TRENNSCHALTER |
| 41 | 75.750.027 | SICHERUNG 8A |
| 18 | EV3294N9VR | REGLER |
| 43 | 50.01.111 | HD-SCHALTER |
| 20 | 50.05.505 | SCHLÜSSEL |
| 21 | 50.05.506 | BEDIENKLAPPE |
| 38 | 60.01.105 | SCHUTZGITTER |
| 31 | 75.750.017 | SICHERUNG |
| 40 | 70.01.145 | KOMPRESSOR |
| 39 | 70.01.146 | E-BOX KOMPRESSOR |
| 37 | 70.02.200 | VERDAMPFERLÜFTER |
| 28 | 70.01.147 | KONDENSATOR |
| 34 | 70.02.115 | VERDAMPFER |
| 36 | 60.01.120 | SCHUTZGITTER |
| 35 | 40.01.002 | KONDENSATORLÜFTER |
| 27 | 60.01.116 | ELEKTR. KONDENSATOR |
| 42 | 50.01.154 | ELEKTR. KONDENSATOR |
| 26 | 50.05.502 | KUPPLUNG |

GB

| POS. | CODE | DESCRIPTION |
|------|--------------|------------------------|
| 1 | 50.03.307 | ABS COWLING |
| 2 | 50.02.202 | PROTECTIVE GRID |
| 6 | E.75.750.030 | ROOM TEMPERATURE PROBE |
| 7 | E.75.750.031 | EVAPORATOR PROBE |
| 8 | 50.02.204 | DEFROST HEATER |
| 10 | 50.03.304 | PLUG |
| 11 | 75.750.011 | TERMINAL STRIP |
| 12 | 75.750.007 | CONTACTOR |
| 13 | 75.750.008 | TERMINAL STRIP |
| 14 | 75.750.012 | FUSE HOLDER |
| 15 | 75.750.015 | FUSE HOLDER |
| 41 | 75.750.027 | FUSE |
| 18 | EV3294N9VR | DIGITAL THERMOSTAT |
| 43 | 50.01.111 | HIGH PRESSURE SWITCH |
| 20 | 50.05.505 | LOCK KEY |
| 21 | 50.05.506 | DOOR WITH LOCK |
| 38 | 60.01.105 | PROTECTIVE GRID |
| 31 | 75.750.017 | FUSE |
| 40 | 70.01.145 | COMPRESSOR |
| 39 | 70.01.146 | E-BOX COMPRESSOR |
| 37 | 70.02.200 | EVAPORATOR FAN |
| 28 | 70.01.147 | CONDENSER |
| 34 | 70.02.115 | EVAPORATOR |
| 36 | 60.01.120 | PROTECTIVE GRID |
| 35 | 40.01.002 | CONDENSERFAN |
| 27 | 60.01.116 | ELECTRIC CAPACITOR |
| 42 | 50.01.154 | CONDENSER FAN |
| 26 | 50.05.502 | COUPLER |

F

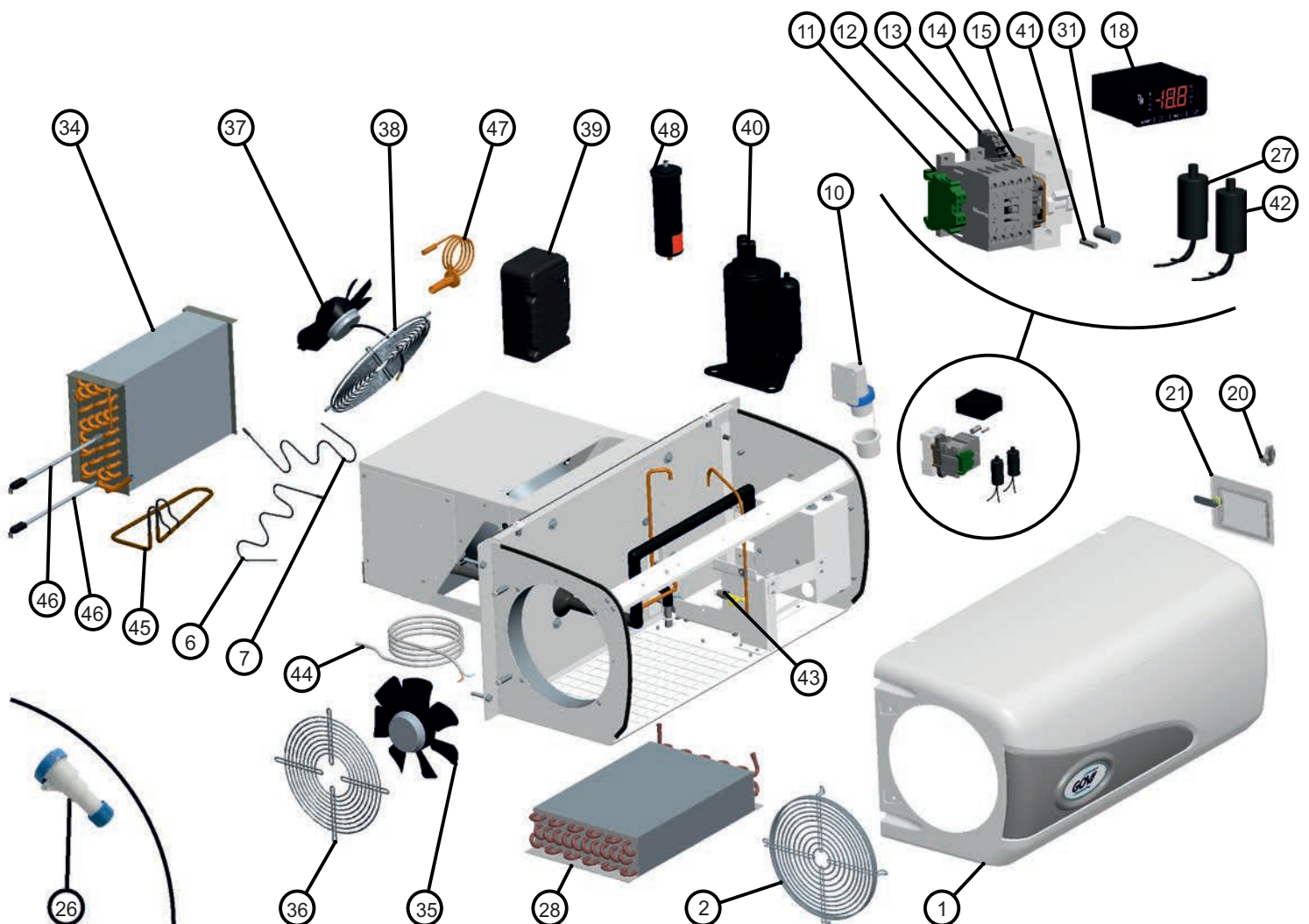
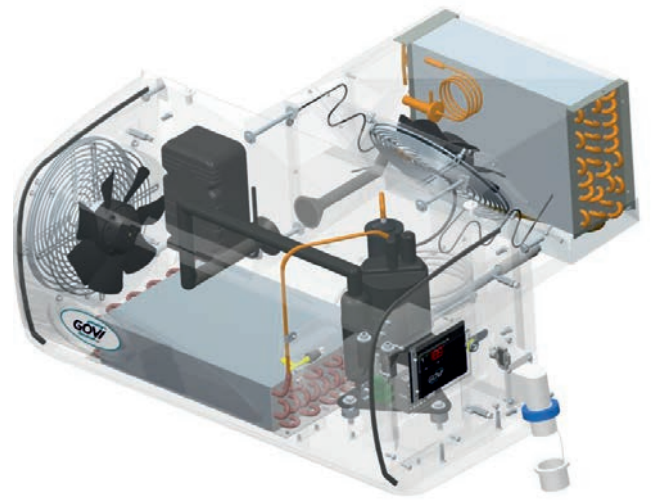
| POS. | CODE | DESCRIPTION |
|------|--------------|-------------------------------------|
| 1 | 50.03.307 | CARTER EN ABS |
| 2 | 50.02.202 | GRILLE DE PROTECTION |
| 6 | E.75.750.030 | SONDE TEMPERATURE AMBIANTE |
| 7 | E.75.750.031 | SONDE DE DEGIVRAGE |
| 8 | 50.02.204 | RESISTANCE DE DEGIVRAGE |
| 10 | 50.03.304 | SOCLE DE CONNECTEUR EN SAILLIE 230V |
| 11 | 75.750.011 | BORNIER |
| 12 | 75.750.007 | RELAIS |
| 13 | 75.750.008 | BORNIER |
| 14 | 75.750.012 | PORTE-FUSIBLES |
| 15 | 75.750.015 | PORTE-FUSIBLES |
| 41 | 75.750.027 | FUSIBLE |
| 18 | EV3294N9VR | THERMOSTAT NUMERIQUE |
| 43 | 50.01.111 | PRESSOSTAT HAUTE PRESSION |
| 20 | 50.05.505 | CLE SERRURE |
| 21 | 50.05.506 | PORTE AVEC SERRURE |
| 38 | 60.01.105 | GRILLE DE PROTECTION |
| 31 | 75.750.017 | FUSIBLE |
| 40 | 70.01.145 | COMPRESSEUR |
| 39 | 70.01.146 | E-BOX COMPRESSEUR |
| 37 | 70.02.200 | VENTILATEUR |
| 28 | 70.01.147 | CONDENSEUR |
| 34 | 70.02.115 | EVAPORATEUR |
| 36 | 60.01.120 | GRILLE DE PROTECTION |
| 35 | 40.01.002 | VENTILATEUR |
| 27 | 60.01.116 | CONDENSATEUR ELECTRIQUE |
| 42 | 50.01.154 | VENTILATEUR |
| 26 | 50.05.502 | PRISE MOBILE |

NL

| POS. | CODE | OMSCHRIJVING: |
|------|--------------|--|
| 1 | 50.03.307 | BESCHERMKAP (ABS) |
| 2 | 50.02.202 | BESCHERMROOSTER |
| 6 | E.75.750.030 | OMGEVINGSTEMPERATUURENSOR (LAADRUIMTE) |
| 7 | E.75.750.031 | ONTDOOISENSOR |
| 8 | 50.02.204 | ONTDOOI/VERWARMINGSELEMENT |
| 10 | 50.03.304 | AANSLUITSTEKKER |
| 11 | 75.750.011 | KLEMMENSTROOK |
| 12 | 75.750.007 | AFSTANDSSCHAKELAAR |
| 13 | 75.750.008 | KLEMMENSTROOK |
| 14 | 75.750.012 | ZEKERINGHOUDER |
| 15 | 75.750.015 | ZEKERINGHOUDER |
| 41 | 75.750.027 | ZEKERING |
| 18 | EV3294N9VR | DIGITALE THERMOSTAT |
| 43 | 50.01.111 | HOGEDRUKPRESSOSTAAT |
| 20 | 50.05.505 | SLEUTEL (BEDIENINGSPANEEL) |
| 21 | 50.05.506 | DEUR MET SLUITING |
| 38 | 60.01.105 | BESCHERMROOSTER |
| 31 | 75.750.017 | ZEKERING |
| 40 | 70.01.145 | COMPRESSOR |
| 39 | 70.01.146 | E-BOX COMPRESSOR |
| 37 | 70.02.200 | VENTILATOR |
| 28 | 70.01.147 | CONDENSOR |
| 34 | 70.02.115 | VERDAMPER |
| 36 | 60.01.120 | BESCHERMROOSTER |
| 35 | 40.01.002 | VENTILATOR |
| 27 | 60.01.116 | ELECTRO CONDENSATOR |
| 42 | 50.01.154 | VENTILATOR |
| 26 | 50.05.502 | CONTRA-STEKKER |

arktik® 2000P

ERSATZTEILE SPARE PARTS PIECES DETACHEES ONDERDELEN



D

| POS. | BESTELNUMMER | BEZEICHNUNG |
|------|--------------|---------------------|
| 1 | 50.03.307 | GERÄTEFRONTHAUBE |
| 2 | 50.02.202 | SCHUTZGITTER |
| 6 | E.75.750.030 | FÜHLER RAUM |
| 7 | E.75.750.031 | FÜHLER VERDAMPFER |
| 10 | 50.03.304 | CAMPINGSTECKDOSE |
| 11 | 75.750.011 | ERDKLEMME |
| 12 | 75.750.007 | SCHÜTZ |
| 13 | 75.750.008 | KLEMME TOPJOB |
| 14 | 75.750.012 | SI-KLEMME |
| 15 | 75.750.015 | SI-TRENNSCHALTER |
| 18 | EV3294N9VR | REGLER |
| 43 | 50.01.111 | HD-SCHALTER |
| 20 | 50.05.505 | SCHLÜSSEL |
| 21 | 50.05.506 | BEDIENKLAPPE |
| 27 | 60.01.116 | ELEKTR. KONDENSATOR |
| 42 | 50.01.154 | ELEKTR. KONDENSATOR |
| 36 | 60.01.120 | SCHUTZGITTER |
| 48 | 70.01.151 | TROCKNER |
| 46 | 70.02.105 | ABTAUHEIZUNG |
| 45 | 70.01.123 | WANNENHEIZUNG |
| 44 | 70.02.114 | ABLAUFHEIZUNG |
| 47 | 068U2491 | EXPANSIONSVENTIL |
| 40 | 70.01.145 | KOMPRESSOR |
| 39 | 70.01.146 | E-BOX KOMPRESSOR |
| 37 | 70.02.200 | VERDAMPFERLÜFTER |
| 28 | 70.01.147 | KONDENSATOR |
| 34 | 70.02.115 | VERDAMPFER |
| 31 | 75.750.017 | SICHERUNG |
| 41 | 75.750.027 | SICHERUNG |
| 38 | 60.01.105 | SCHUTZGITTER |
| 35 | 40.01.002 | KONDENSATORLÜFTER |
| 26 | 50.05.502 | KUPPLUNG |

F

| POS. | CODE | DESCRIPTION |
|------|--------------|-------------------------------------|
| 1 | 50.03.307 | CARTER EN ABS |
| 2 | 50.02.202 | GRILLE DE PROTECTION |
| 6 | E.75.750.030 | SONDE TEMPERATURE AMBIANTE |
| 7 | E.75.750.031 | SONDE DE DEGIVRAGE |
| 10 | 50.03.304 | SOCLE DE CONNECTEUR EN SAILLIE 230V |
| 11 | 75.750.011 | BORNIER |
| 12 | 75.750.007 | RELAIS |
| 13 | 75.750.008 | BORNIER |
| 14 | 75.750.012 | PORTE-FUSIBLES |
| 15 | 75.750.015 | PORTE-FUSIBLES |
| 18 | EV3294N9VR | THERMOSTAT NUMERIQUE |
| 43 | 50.01.111 | PRESSOSTAT HAUTE PRESSION |
| 20 | 50.05.505 | CLE SERRURE |
| 21 | 50.05.506 | PORTE AVEC SERRURE |
| 27 | 60.01.116 | CONDENSATEUR ELECTRIQUE |
| 42 | 50.01.154 | VENTILATEUR |
| 36 | 60.01.120 | GRILLE DE PROTECTION |
| 48 | 70.01.151 | FILTRE DESHYDRATEUR RESERVOIR |
| 46 | 70.02.105 | RESISTANCE DE DEGIVRAGE |
| 45 | 70.01.123 | RESISTANCE DE CARTER |
| 44 | 70.02.114 | CORDAN CHAUFFANT |
| 47 | 068U2491 | DETENDEUR |
| 40 | 70.01.145 | COMPRESSEUR |
| 39 | 70.01.146 | BOITE DE RACCORDEMENT ELECTRIQUE |
| 37 | 70.02.200 | VENTILATEUR |
| 28 | 70.01.147 | CONDENSEUR |
| 34 | 70.02.115 | EVAPORATEUR |
| 31 | 75.750.017 | FUSIBLE |
| 41 | 75.750.027 | FUSIBLE |
| 38 | 60.01.105 | GRILLE DE PROTECTION |
| 35 | 40.01.002 | VENTILATEUR |
| 26 | 50.05.502 | PRISE MOBILE |

GB

| POS. | CODE | DESCRIPTION |
|------|--------------|------------------------|
| 1 | 50.03.307 | ABS COWLING |
| 2 | 50.02.202 | PROTECTIVE GRID |
| 6 | E.75.750.030 | ROOM TEMPERATURE PROBE |
| 7 | E.75.750.031 | EVAPORATOR PROBE |
| 10 | 50.03.304 | PLUG |
| 11 | 75.750.011 | TERMINAL STRIP |
| 12 | 75.750.007 | CONTACTOR |
| 13 | 75.750.008 | TERMINAL STRIP |
| 14 | 75.750.012 | FUSE HOLDER |
| 15 | 75.750.015 | FUSE HOLDER |
| 18 | EV3294N9VR | DIGITAL THERMOSTAT |
| 43 | 50.01.111 | HIGH PRESSURE SWITCH |
| 20 | 50.05.505 | LOCK KEY |
| 21 | 50.05.506 | DOOR WITH LOCK |
| 27 | 60.01.116 | ELECTRIC CAPACITOR |
| 42 | 50.01.154 | CONDENSER FAN |
| 36 | 60.01.120 | PROTECTIVE GRID |
| 48 | 70.01.151 | FILTER-DRIER |
| 46 | 70.02.105 | DEFROST HEATER |
| 45 | 70.01.123 | DRIP TRAY HEATER |
| 44 | 70.02.114 | DRAIN PIPE HEATER |
| 47 | 068U2491 | EXPANSION VALVE |
| 40 | 70.01.145 | COMPRESSOR |
| 39 | 70.01.146 | SWITCHBOX COMPRESSOR |
| 37 | 70.02.200 | EVAPORATOR FAN |
| 28 | 70.01.147 | CONDENSER |
| 34 | 70.02.115 | EVAPORATOR |
| 31 | 75.750.017 | FUSE |
| 41 | 75.750.027 | FUSE |
| 38 | 60.01.105 | PROTECTIVE GRID |
| 35 | 40.01.002 | CONDENSER FAN |
| 26 | 50.05.502 | COUPLER |

NL

| POS. | CODE | OMSCHRIJVING: |
|------|--------------|--|
| 1 | 50.03.307 | BESCHERMKAP (ABS) |
| 2 | 50.02.202 | BESCHERMROOSTER |
| 6 | E.75.750.030 | OMGEVINGSTEMPERATUURSSENSOR (LAADRUIMTE) |
| 7 | E.75.750.031 | ONTDOOISENSOR |
| 10 | 50.03.304 | AANSLUITSTEKKER |
| 11 | 75.750.011 | KLEMMENSTROOK |
| 12 | 75.750.007 | AFSTANDSSCHAKELAAR |
| 13 | 75.750.008 | KLEMMENSTROOK |
| 14 | 75.750.012 | ZEKERINGHOUDER |
| 15 | 75.750.015 | ZEKERINGHOUDER |
| 18 | EV3294N9VR | DIGITALE THERMOSTAT |
| 43 | 50.01.111 | HOGEDRUKPRESSOSTAAT |
| 20 | 50.05.505 | SLEUTEL (BEDIENINGSPANEEL) |
| 21 | 50.05.506 | DEUR MET SLUITING |
| 27 | 60.01.116 | ELECTRO CONDENSATOR |
| 42 | 50.01.154 | VENTILATOR |
| 36 | 60.01.120 | BESCHERMROOSTER |
| 48 | 70.01.151 | FILTERDROGER |
| 46 | 70.02.105 | ONTDOOI/VERWARMINGSELEMENT |
| 45 | 70.01.123 | VERWARMING VAN BOORGAT CONDENSIEWATER |
| 44 | 70.02.114 | VERWARMINGSKABEL |
| 47 | 068U2491 | EXPANSIEKLEP |
| 40 | 70.01.145 | COMPRESSOR |
| 39 | 70.01.146 | SCHAKELKAST COMPRESSOR |
| 37 | 70.02.200 | VENTILATOR |
| 28 | 70.01.147 | CONDENSOR |
| 34 | 70.02.115 | VERDAMPFER |
| 31 | 75.750.017 | ZEKERING |
| 41 | 75.750.027 | ZEKERING |
| 38 | 60.01.105 | BESCHERMROOSTER |
| 35 | 40.01.002 | VENTILATOR |
| 26 | 50.05.502 | CONTRA-STEKKER |



made in germany

GOVI AROUND THE GLOBE



GOVI GmbH

Max-Planck-Str. 5

53842 Troisdorf (Germany)

Phone: +49(0)2241-92 29 460

Fax: +49(0)2241-92 30 390

email: info@govi-gmbh.de

www.govi-gmbh.de

